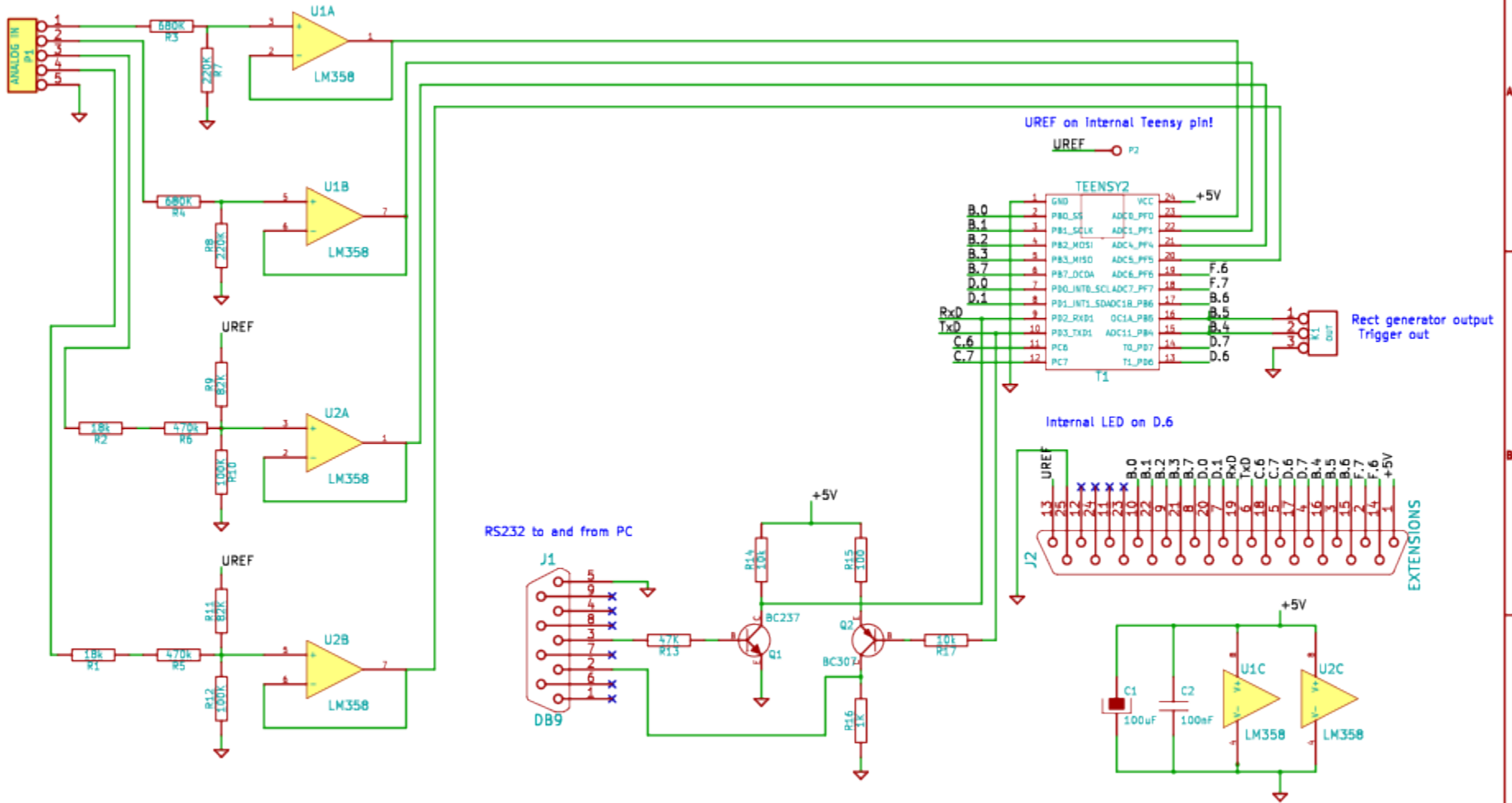


Analog Inputs
 CH0, CH1: 0..10V
 CH2, CH3: -15V ... +15V

USB connector on Teensy provides 5V supply



File: AsserLogger.sch

Sheet: /

Title:

Size: A4 Date: 1 feb 2013

Rev:

KiCad E.D.A. eeschema (2011-05-25)-stable

Id: 1/1